

High Efficiency Boost DC/DC Convertor

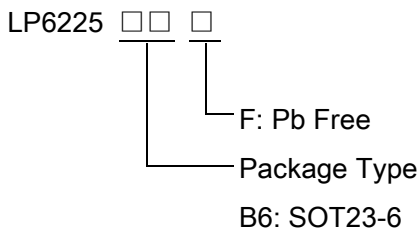
General Description

LP6225 is an asynchronous boost chip controlled by peak current mode, with a fixed switching frequency of 900Khz. The compensation network is integrated internally and no external components are needed to compensate. The integrated soft start circuit can effectively control the inrush current during startup and prevent the battery or external power supply voltage from being pulled down. In addition, with the Output voltage can be programmed through external resistors to respond to different power supply system requirements.

LP6225 can automatically enter PFM mode under light load to improving the conversion efficiency. With the load current increasing, the chip enters PWM mode, in which the frequency band of output ripple is relatively fixed and the conversion efficiency will be highly. The LP6225 integrates under-voltage, overcurrent, over-temperature and other protection functions.

The LP6225 provides the smaller SOT23-6 package.

Order Information



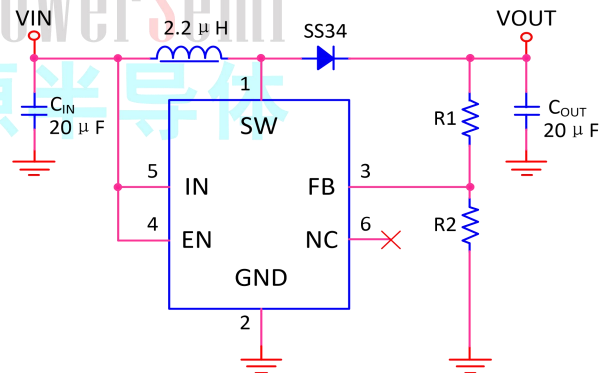
Applications

- ✧ Battery products
- ✧ Host Products
- ✧ Panel

Features

- ◆ 2.5V to 15V Input Voltage
- ◆ Up to 92% efficiency
- ◆ Shut-down current: 1uA @ $V_{IN}=5V$
- ◆ Integrated 80mΩ Power MOSFET
- ◆ Adjustable Output voltage Up to 18V
- ◆ Internal Compensation, Soft-start
- ◆ 900KHz fixed frequency switching
- ◆ Internal Switching Current Limit
- ◆ Available in SOT23-6 Package
- ◆ RoHS Compliant and 100% Lead (Pb)-Free

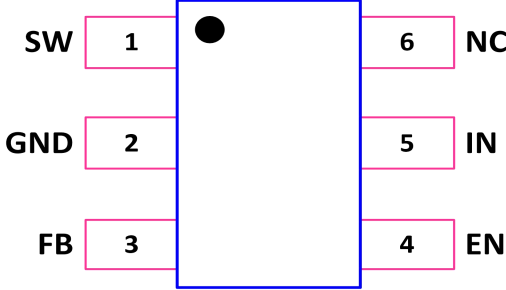
Typical Application Circuit



Marking Information

Device	Marking	Package	Shipping
LP6225B6F	LPS 5EYWX	SOT23-6L	3K/REEL
Marking indication: XX: The Production serial number			

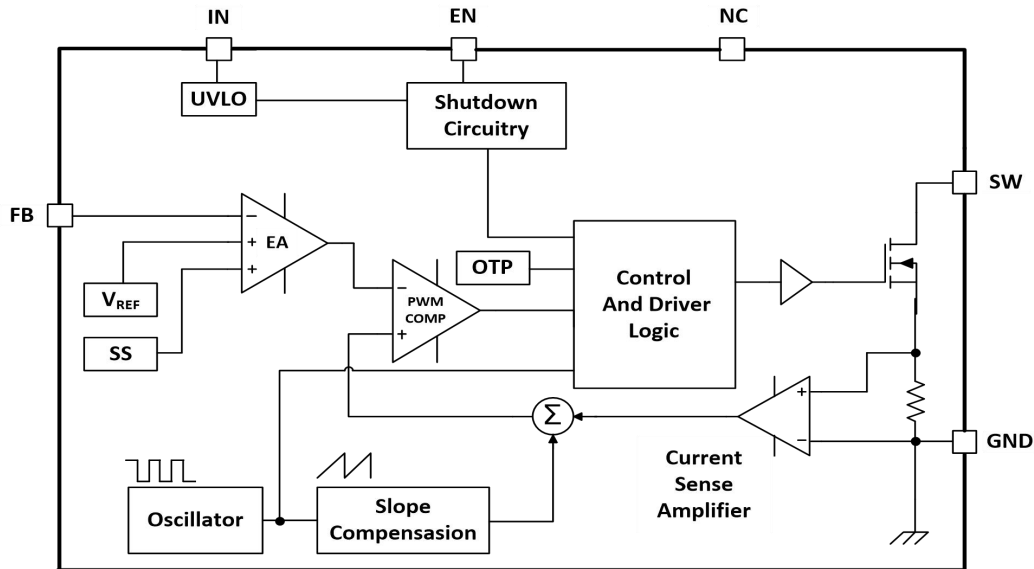
Functional Pin Description

Package Type	Pin Configurations
SOT23-6	 <p>(Top View)</p>

Pin Description

Pin	Name	Description
1	SW	Power Switch Output. SW is the drain of the internal MOSFET switch. Connect the power inductor and output rectifier to SW.
2	GND	Ground pin.
3	FB	Output voltage feedback pin. Connect to an external resistive voltage divider from the output to FB to set the output voltage.
4	EN	Regulator ON/OFF Control Input. A logic high input($V_{EN} > 1.4V$) turns on the converter. A logic low input($V_{EN} < 0.4V$) puts the LP6225 into low current shutdown mode.
5	IN	Power Supply pin. Place a bypass capacitor as locally as possible
6	NC	Not Connect.

Function Block Diagram



Absolute Maximum Ratings ^{Note 1}

◇ Input to GND	-----	-0.3V to 18V
◇ EN to GND	-----	-0.3V to 18V
◇ SW Voltage to GND	-----	-0.3V to 25V
◇ FB to GND	-----	-0.3V to 9V
◇ Maximum Junction Temperature	-----	150°C
◇ Maximum Soldering Temperature (at leads, 10 sec)	-----	260°C

Note 1. Stresses beyond those listed under "Absolute Maximum Ratings" may cause permanent damage to the device. These are stress ratings only, and functional operation of the device at these or any other conditions beyond those indicated in the operational sections of the specifications is not implied. Exposure to absolute maximum rating conditions for extended periods may affect device reliability.

Thermal Information

◇ Maximum Power Dissipation ($P_D, T_A=25^\circ\text{C}$)	-----	0.45W
◇ Thermal Resistance (J_A)	-----	250°C/W

ESD Susceptibility

◇ HBM(Human Body Mode)	-----	2KV
◇ MM(Machine Mode)	-----	200V

Recommended Operating Conditions

◇ Ambient Temperature Range	-----	-20°C to 85°C
-----------------------------	-------	---------------

Electrical Characteristics

($T_A=25^{\circ}\text{C}$, $V_{IN}=3.3\text{V}$, $V_{OUT}=5\text{V}$, $C_{IN}=22\mu\text{F}$, $C_{OUT}=20\mu\text{F}$, $L=2.2\mu\text{H}$, $R_1=110\text{K}$, $R_2=15\text{K}$)

Parameter	Symbol	Condition	Min	Typ.	Max	Units
Input Supply Range	V_{CC}		2.5		15	V
Under Voltage Lockout	V_{UVLO}			2.3		V
Output Voltage Range	V_{OUT}		2.5		18	V
Quiescent Current	I_Q	VFB=0.7V, No Switch		240	300	μA
		VFB=0.5V, Switch		0.85	1.1	mA
Shutdown Supply Current	I_{SD}	$V_{EN}=0\text{V}$		1	3	μA
Switching Frequency	F_{OSC}			900		KHz
Maximum Duty Cycle ⁽²⁾	D_{UTY}				85	%
Reference Voltage	V_{REF}		0.588	0.6	0.612	V
EN Input Low Voltage	V_{EN_OFF}				0.4	V
EN Input High Voltage	V_{EN_ON}		1.4			V
Over Current Protection ⁽²⁾	I_{OCP}			2500		mA
Over Temperature Protection ⁽²⁾	OTP			150		$^{\circ}\text{C}$
Overcurrent recovery hysteresis ⁽²⁾					20	$^{\circ}\text{C}$
Low-side On Resistance ⁽²⁾	$R_{DS(ON)}$			80		$\text{m}\Omega$

Note 2. The parameter is guaranteed by design and characterization.

Typical Operating Characteristics

($C_{IN}=20\mu F$, $C_{OUT}=20\mu F$, $T_A=25^\circ C$, unless otherwise noted)

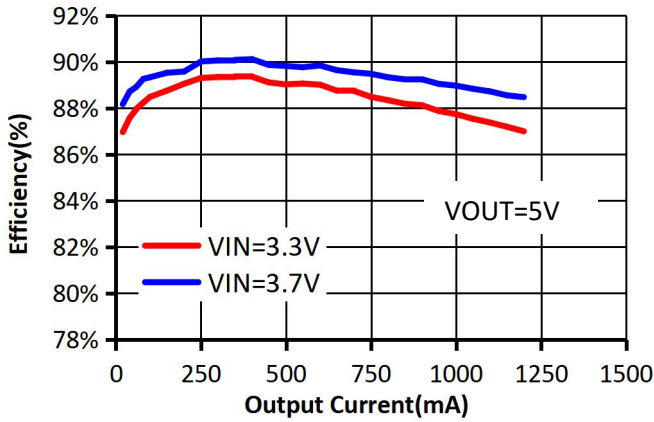


Figure 1. Output efficiency with load

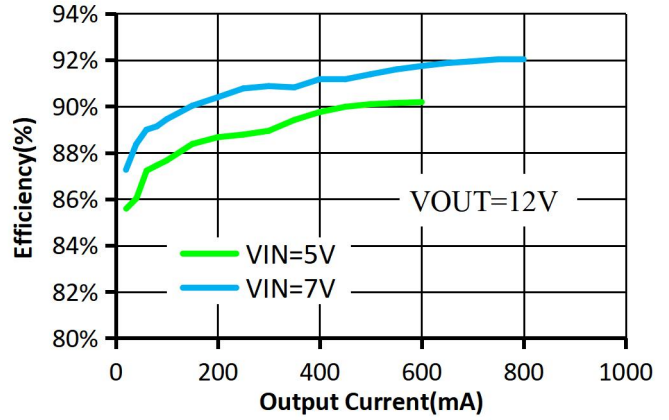


Figure 2. Output efficiency with load

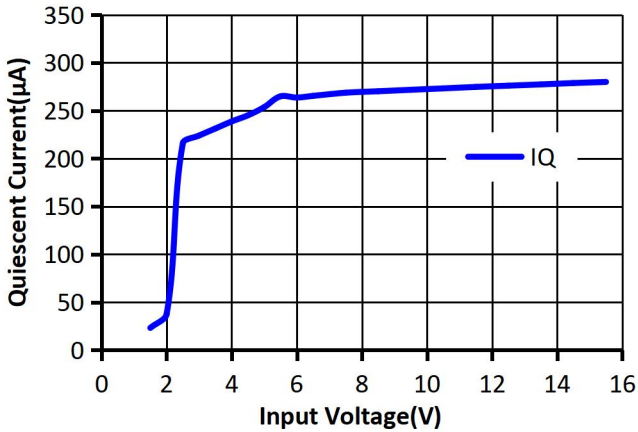


Figure 3. Input Voltage vs Quiescent Current

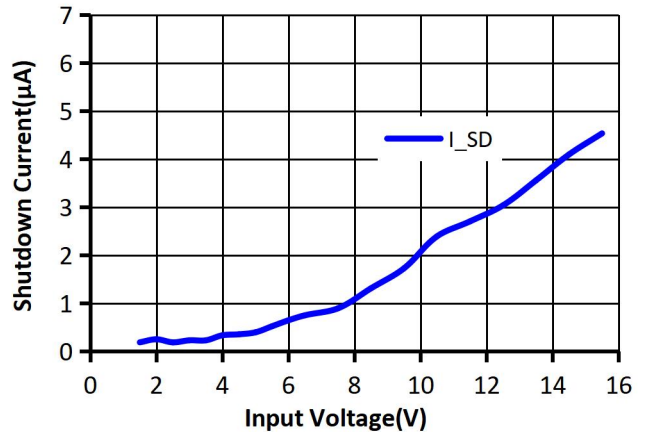


Figure 4. Input Voltage vs Shutdown Current

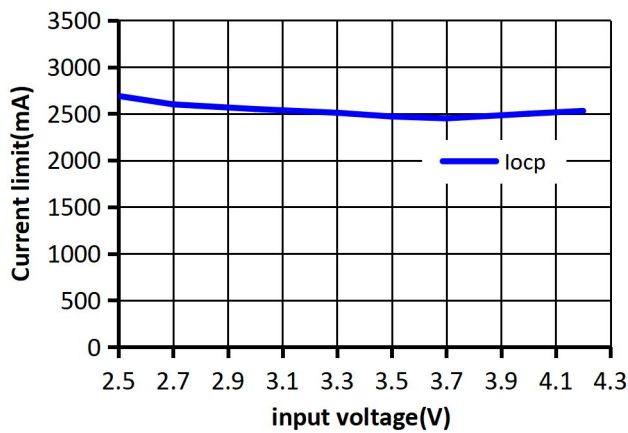


Figure 5. Current Limit vs Input Voltage

Application Waveform

($C_{IN}=20\mu F$, $C_{OUT}=20\mu F$, $T_A=25^\circ C$, unless otherwise noted)

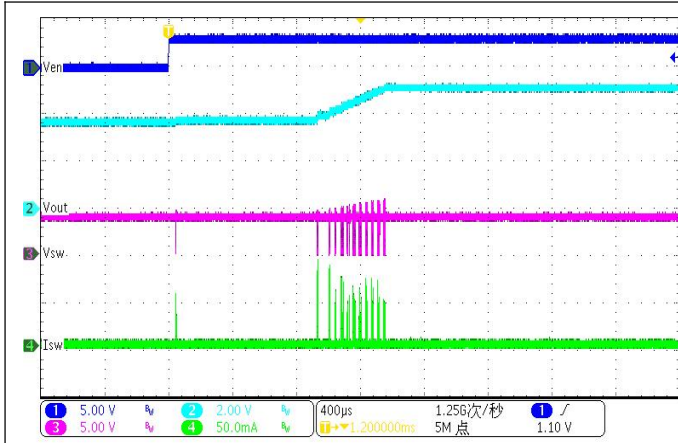


Figure 6. Start Up Relative To En@ No Load, VIN=3.7V

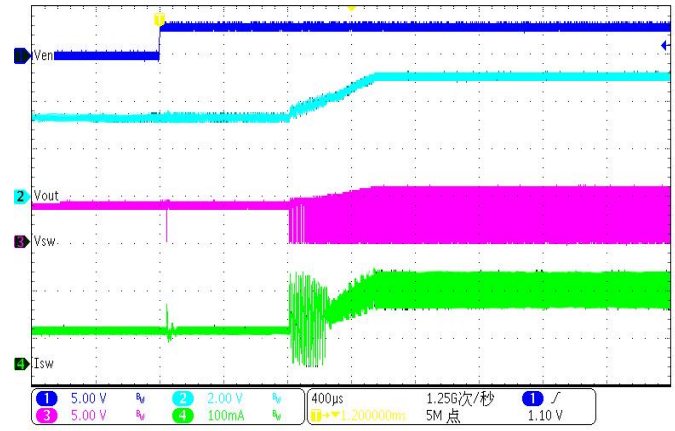


Figure 7. Start Up Relative To En@ Load=5Ω, VIN=3.7V

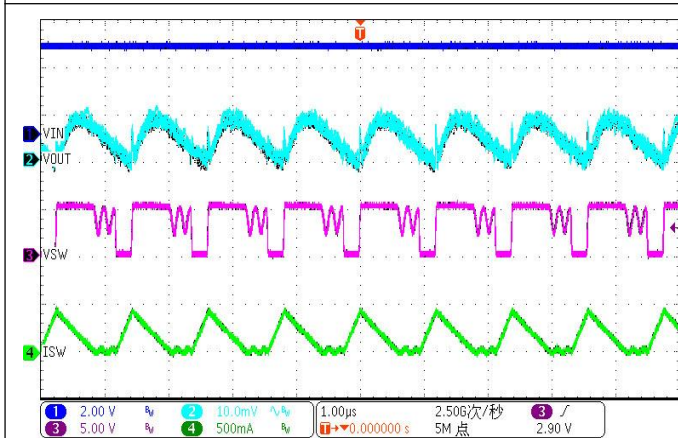


Figure 8. Output Voltage Ripple @ Load=0.1A VOUT=5V

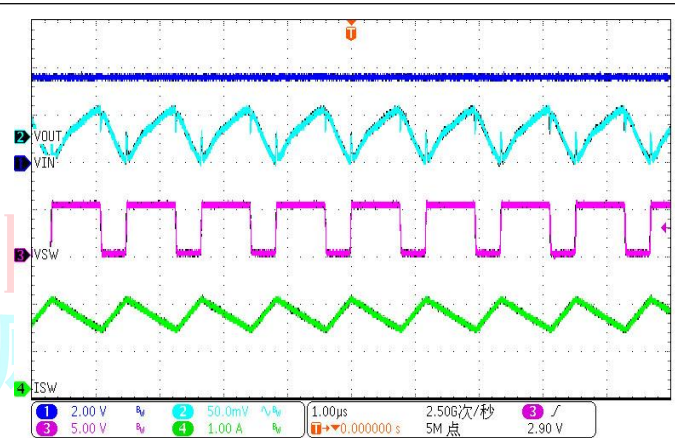


Figure 9. Output Voltage Ripple @ Load=1A VOUT=5V

Operation Information

LP6225 adopts fixed frequency 900 KHz, peak current mode control structure. The integrated harmonic compensation circuit can make a compensate signal on the current signal, which prevent the device from the sub-harmonic oscillation when the duty ratio is more than 50%, The output voltage and switch current limit can be programmed by external resistance,

Setting the Output Voltage

The output voltage is set by an external resistor divider. The internal reference V_{REF} is 0.6V (typical). For the best accuracy and stability, The R2 resistor should be kept small than $200k\ \Omega$, Because a lower value increases the immunity against noise injection. The output voltage is given by

$$V_{OUT} = (R1 / R2 + 1) \times V_{REF}$$

Current Limitation

In order to prevent thermal destabilization or thermal run away in the low-side Power MOSFET, The chip designed a cycle-by-cycle current limit circuit. If the output current becomes very heavy, and the inductor peak current hit the current limit, the chip will turn off the Power MOSFET, In this case the output voltage will further decrease.

Thermal Shutdown

A thermal shutdown is implemented to prevent damage due to the excessive heat and power dissipation. Typically, the thermal shutdown occurs at the junction temperature exceeding 150°C . When the thermal shutdown is triggered, the device stops switching. while the junction temperature falls below 130°C , the device will restart to work.

Diode Selection

Schottky diodes with fast recovery times and low forward guide voltages are recommended to select ,

To ensure that the average peak current rating of the continuous tube exceeds the average output current and peak inductance current ,it also can pass through a large peak pulse current. In addition, the reverse breakdown voltage of the diode must exceed the output voltage

Input and Output Capacitor Selection

For better input bypassing, low-ESR ceramic capacitors are recommended for performance. A 20uF input capacitor is sufficient for most applications. For a lower output power requirement application, this value can be decreased.

Shut Down

When the input voltage is below the V_{UVLO} threshold or the EN pin is pulled low, the chip is in shutdown mode and all the functions are disabled.

Soft Start

The soft start feature helps the converter gradually reach a stable output voltage, thus reducing the uprush output voltage and inrush current at start-up. When a voltage is applied to the input, the input is charged to the output capacitance through an inductor and a high-side rectifier diode. After reaching V_{UVLO} threshold, an internal soft-start control circuit ramps the reference voltage to 0.6V within 2ms. After the output voltage reaches the target value, soft start ends.

Inductor Selection

For a better efficiency in high switching frequency converter, the inductor selection has to use a proper core material such as ferrite core to reduce the core loss and choose low ESR wire to reduce copper loss. The most important point is to prevent the core saturated when handling the maximum peak current. Using a shielded inductor can minimize radiated noise in sensitive applications. The maximum peak

inductor current is the maximum input current plus the half of inductor ripple current. The calculated peak current has to be smaller than the current limitation in the electrical characteristics. A typical setting of the inductor ripple current is 20% to 40% of the maximum input current. If the selection is 40%, the maximum peak inductor current is

$$\begin{aligned}
 I_{PEAK} &= I_{IN(MAX)} + \frac{1}{2} I_{RIPPLR} \\
 &= 1.2 \times I_{IN(MAX)} \\
 &= 1.2 \times \left[\frac{I_{OUT(MAX)} \times V_{OUT}}{\eta \times V_{IN(MAX)}} \right]
 \end{aligned}$$

The minimum inductance value is derived from the following equation:

$$L = \frac{\eta \times V_{IN(MAX)}^2 \times [V_{OUT} - V_{IN(MIN)}]}{0.4 \times I_{OUT(MAX)} \times V_{OUT}^2 \times f_{OSC}}$$

Depending on the application, the recommended inductor value is between 2.2uH to 10uH.

Output Capacitor Selection

For lower output voltage ripple, low-ESR ceramic capacitors are recommended. The tantalum capacitors can be used as well, but the ESR is bigger than ceramic capacitor. The output voltage ripple consists of two components: one is the pulsating output ripple current flows through the ESR, and the other is the capacitive ripple caused by charging and discharging.

$$\begin{aligned}
 V_{RIPPLE} &= V_{RIPPLE_{ESR}} + V_{RIPPLE_C} \\
 &\cong I_{PEAK} \times R_{ESR} + \frac{I_{PEAK}}{C_{OUT}} \left(\frac{V_{OUT} - V_{IN}}{V_{OUT} \times f_{OSC}} \right)
 \end{aligned}$$

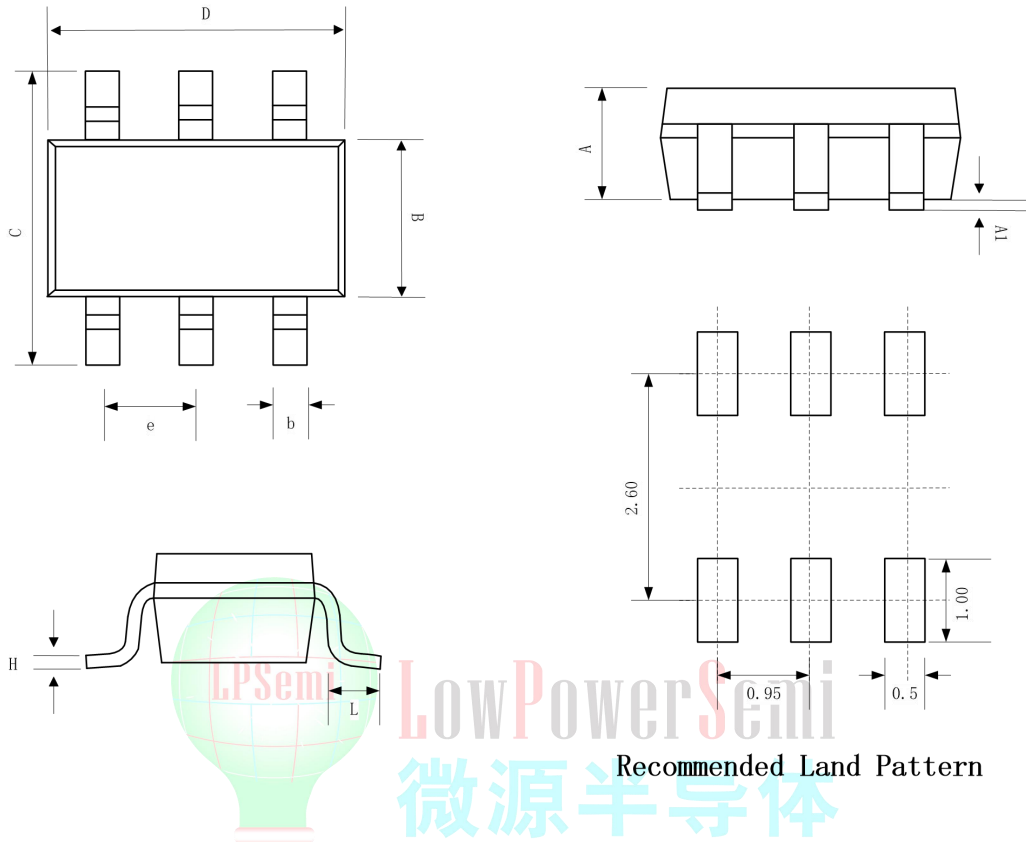
Layout Guideline

For high frequency switching power supplies, the PCB layout is important step in system application design. In order to let IC achieve good regulation, high efficiency and stability, it is strongly recommended the power components should be placed as close as possible. The set circuit traces

should be wide and short. The feedback pin and then works of feedback and compensation should keep away from the power loops, and be shielded with a ground trace or plane to prevent noise coupling.

Packaging Information

SOT23-6



SYMBOL	MILLIMETER		
	MIN	NOM	MAX
A	0.889	1.100	1.295
A1	0.000	0.050	0.152
B	1.397	1.600	1.803
b	0.28	0.35	0.559
C	2.591	2.800	3.000
D	2.692	2.920	3.120
e	0.95BSC		
H	0.080	0.152	0.254
L	0.300	0.450	0.610